

Omnia ULI

Fan coils with Inverter Brushless motor (EC)
Universal installation for residential use



Aermec is participating in the EUROVENT Program : FCH
The related products can be found at the website
www.eurovent-certification.com



White

- RAL 9002 Case
- RAL 7044 Head and Feet

- **ELECTRIC SAVING EQUAL TO 50% COMPARED TO A FAN COIL WITH 3-SPEED MOTOR**
- **FULLY SILENT FUNCTIONING**

Features

Fan coils with inverter technology for heating, cooling, and dehumidifying. Equipped with a state of the art ventilation unit with continuous modulation of the air flow rate, which allows for precise adaptation of the actual indoor ambient requirements without temperature oscillations, for increased comfort, also in terms of noise, and electrical savings. It can be installed on 2-pipe systems and combined with any heat generator even at low temperatures. Choosing the optimal solution for any requirement is easy thanks to the various versions available and to the possibility of horizontal or vertical installation, depending on the version.

Version without on-board thermostat, vertical and horizontal installation:

ULI-S: version with cabinet without control but compatible with the VMF system or with other control panels that can be supplied as accessories.

Version with on-board thermostat, only vertical installation:

ULI-C: version with cabinet and electronic thermostat

ULI-PC: version with cabinet, electronic thermostat and Plasmacluster filter

- Silent functioning thanks to the special centrifugal fans with 0-100% continual speed variation Brushless motor.
- Adjustable air distribution grid
- Automatic fan coil switch-off when the air distribution grid is closed

- Electronic temperature adjustment, automatic speed change on the fan, seasonal change and automatic switch-on and off (version with thermostat)
- Reversibility of hydraulic connections during installation
- Low pressure drop in heat exchange coils
- Easy installation and maintenance.
- Air filter with easy extraction and cleaning.

Accessories

Accessories for the S version without on-board thermostat

- **WMT21:** Electronic thermostat for wall installation
- **SWAI:** Water temperature probe for WMT21 panels (2 m cable length)

VMF system

- **VMF-E18:** Thermostat for serial communication
- **VMF-E2D:** User interface to install on the machine with two selectors: one to control the temperature and one for the speed
- **VMF-E4:** The wall user interface allows you to control the functions via a capacitive touch keyboard.
- **VMF-E5:** The wall recessed panel allows you to control the functions of a complete hydronic system via a capacitive touch keyboard.

For further information on the thermostats and the VMF system, refer the the specific data sheet.

- **BC20:** Auxiliary condensate drip tray for horizontal installation

Accessories for the C-PC versions with on-board thermostat.

- **PTI2:** Standard installed on-board electronic thermostat
- **AMP10:** Kit for wall installation without feet

Accessories available for all versions

- **DSC5:** Condensate draining device when level differences must be exceeded. DSC5 is not compatible with BC10 - BC20.
- **BC10:** Auxiliary condensate drip tray for vertical installation
- **GU:** Intake grid covers the front space between the feet and does not interfere with the air filter.
- **PCU:** Rear closing panel
- **VCH:** Kit composed of 3-way motorised valve and copper pipes and connections.
- **VCHD:** Kit composed of 2-way motorised valve and copper pipes and connections.
- **ZU:** Feet for floor assembly.

Omnia UL_I	vers.	16	26	36
Accessories for S version without thermostat				
Thermostat				
WMT21	S	•	•	•
SWAI	S	•	•	•
VMF system				
VMF-E2D	S	•	•	•
VMF-E4	S	•	•	•
VMF-E5	(2) S	•	•	•
BC10 or BC20	S	•	•	•

(1) Standard AMP10 for S versions

(2) DSC5 is not compatible with trays BC10 - BC20

(3) It must be paired with ZU feet.

Omnia UL_I	vers.	16	26	36
Accessories for the C-PC versions with thermostat				
PTI2	C-PC	as per standard	as per standard	as per standard
AMP10	(1) C-PC	•	•	•
BC10	C-PC	•	•	•
Accessories available for all versions				
DSC5	(2) C-PC-S	•	•	•
GU	(3) C-PC-S	•	•	•
PCU	C-PC-S	•	•	•
VCH	C-PC-S	•	•	•
VCHD	C-PC-S	•	•	•
ZU	C-PC-S	•	•	•

Technical data

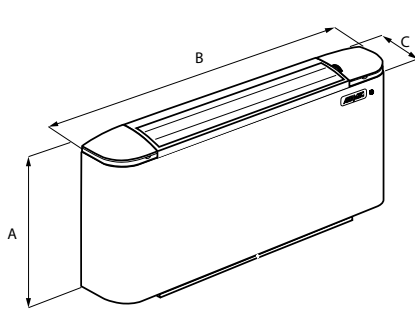
Omnia UL_I		16			26			36		
Fan speed		H	M	L	H	M	L	H	M	L
Heating Performance										
2 pipe configuration										
Heating capacity (70°C)	(1) kW	2,91	2,12	1,54	4,62	3,83	2,89	5,94	4,87	3,53
Water flow rate	(1) l/h	255	186	135	405	336	254	521	427	310
Pressure drops	(1) kPa	4	2	1	5	8	11	7	13	18
Heating capacity (50°C)	(2) kW	1,70	1,25	0,93	2,75	2,24	1,67	3,54	2,86	2,08
Water flow rate	(2) l/h	206	153	122	349	289	220	487	394	286
Pressure drops	(2) kPa	4	2	2	10	7	4	16	11	6
Heating capacity (45°C)	(3) kW	1,45	1,05	0,77	2,30	1,91	1,44	2,96	2,42	1,76
Water flow rate	(3) l/h	251	183	133	399	331	249	513	420	305
Pressure drops	(3) kPa	4	2	1	5	8	11	7	12	18
Cooling Performance										
Total cooling capacity	(4) kW	1,20	0,89	0,71	2,03	1,68	1,28	2,83	2,29	1,66
Sensible cooling capacity	(4) kW	0,99	0,71	0,54	1,64	1,33	0,99	2,04	1,62	1,16
Water flow rate	(4) l/h	206	153	122	349	289	220	487	394	286
Pressure drops	(4) kPa	5	3	2	11	8	5	19	13	7
Water content	l		0,5			0,8			1,1	
Fans										
Fan	type/n°	centrifugal/1			centrifugal/2					
Air flow rate	m³/h	240	160	110	350	270	190	460	350	240
Sound data										
Sound power level	(5) dB(A)	48	43	34	48	43	35	50	43	34
Sound pressure level	dB(A)	40	35	26	40	35	27	40	33	26
Diameter connections										
Standard coil	Ø	1/2"			1/2"			1/2"		
Electrical Features										
Absorbed power	W	12	8	6	15	10	7	18	12	8
Max. input current	A		0,16			0,16			0,25	
Signal 0-10V	%	83	56	38	90	70	49	90	70	48
Power supply	V/ph/Hz	230V~50Hz								
Energy Efficiency classification (EUROVENT)										
FCEER		D			D			D		
FCCOP	(6)	D			D			D		

H max. speed; M med. speed; L min. speed

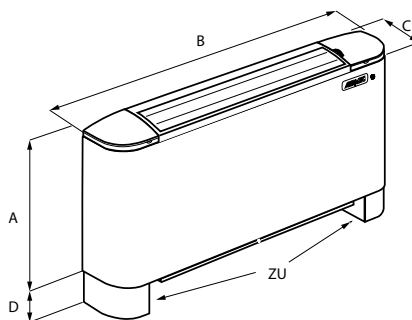
- (1) Room air 20°C b.s.; Water (in/out) 70°C/60°C;
 (2) Room air 20°C b.s.; Water (in) 50°C; Water flow rate as in cooling mode (EUROVENT)
 (3) Room air 20°C b.s.; Water (in/out) 45°C/40°C (EUROVENT)
 (4) Room air 27°C b.s./19°C b.u.; Water (in/out) 7°C/12°C (EUROVENT)
 (5) Sound power level on the basis of measurements made in compliance with Eurovent 8/2
 (6) FCCOP Related to: Room air 20°C b.s.; Water (in) 50°C; Water flow rate as in cooling mode

Note: For more information, please refer to the program selection and the technical documentation available on the website www.aermec.com

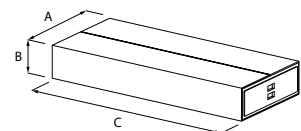
Dimensional (mm)



Wall-mount installation



Floor installation



IMBALLO Disegno esemplificativo

Omnia UL_I		16	26	36
Height	A mm	513	513	513
Width	B mm	750	980	1200
Depth	C mm	173	173	173
Height feet	D mm	93	93	93
Weight ¹	kg	13,5	16,5	19,5
Packaging Dimensions				
A/B/C	mm	590/275/820	590/275/1050	590/275/1270

Aermec reserves the right to make all the modifications deemed necessary for improving the product, including technical data.

Aermec S.p.A.
 Via Roma, 996 - 37040 Bevilacqua (VR) - Italia
 Tel. 039 0442633111 - Telefax +39 044293577
www.aermec.com