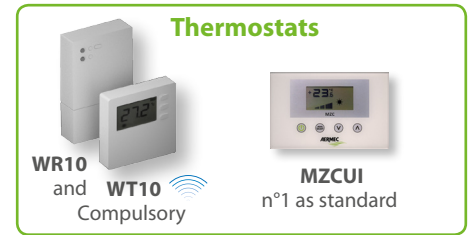
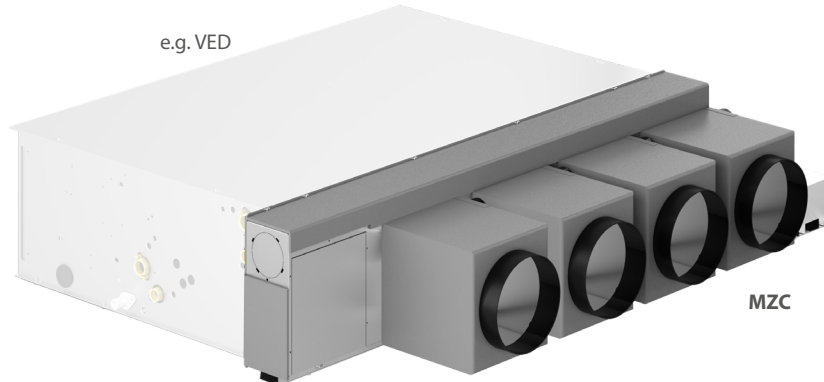


MZC

Plenum with motor-driven dampers for channelling fan coils



- **MULTI-ZONE PLENUM FOR CONTROLLING AIR CAPACITY**
- **AVAILABLE FOR CHANNELLED ON/OFF AND INVERTER FAN COILS**
- **IDEAL FOR RESIDENTIAL AND TERTIARY SECTOR APPLICATIONS**

Features

- The plenum with motor-driven dampers is designed for residential and tertiary applications. It combines optimal ambient comfort with assured energy savings. Modern plant increasingly require overall air conditioning using channelled systems. Thanks to the electronic control of the dampers, the **MZC** accessory regulates the room's comfort by adjusting the air flow to meet the actual requirements. **MZC** is designed for use in combination with all **fan coils with asynchronous or brushless motors** and is pre-set to distribute exchange air.

Special features:

Structure

- Galvanized sheet metal structure, insulated with self-extinguishing material.
- From 2 to 6 delivery outlet blocks depending on the model. Each outlet is fitted with a motor-driven damper, with the possibility -

whenever the system so requires - of adding an accessory MZCSM outlet (possibility not available for all models - see the accessory compatibility table).

- **Fresh air injection flange, supplied as standard**, for connecting the MZC plenum to a heat recovery unit.
- Pre-setting for the installation of an additional Air Probe (accessory MZCSA) to control the Modulating or Pressure Independent Valves.
- Possibility of installing the plenum even on the fan coil intake using a flange (accessory MZCA)
- Reversible electrical box (right/left)

Adjustment

- **MZC is equipped with a zone thermostat MZCUI** to select the required temperature set. The status of the dampers (open/closed) is adjusted on reaching the temperature set in each room.
- Management of up to 6 motorized dampers
- Flow control for each damper (the damper's

maximum and minimum aperture can be set for each outlet).

- **Possibility of associating the control of multiple dampers with the same zone thermostat, even wireless (MZCUI or WT10).**
- For installations in which the dampers and room thermostats are uniquely associated, the dampers can be modulated in relation to the room thermostats' requirements.
- Enabling the "Suction Plenum" function
- MZC is able to control any valves installed on the fan coil associated with it (On/Off, modulating or Pressure Independent types) for systems with 2 or 4 pipes
- Possibility of setting control unit parameters through the supervision serial port

Compatibility of accessories

- **MZCAC, Compulsory** electrical plant for connecting the MZC plenum **with a fan coil fitted with an asynchronous motor**
- **MZCBC, Compulsory** electrical plant for connecting the MZC plenum **with a fan coil fitted with a brushless motor**
- **MZCSM**, single module with motorized damper **for all models except MZC220**
- **MZCUI**, zone thermostat **in addition to the one supplied as standard whenever the plant installation so requires.**
- **MZCA**, Adapter flange for installing the Plenum even under fan coil suction.
- **WT10**, Wireless thermostat.
- **WR10**, Two-channel wireless receiver for WT10.
- **MZCSA**, Air Probe for controlling Modulating or Pressure Independent Valves.
- **VMF-VOC**, Air quality detection accessory.

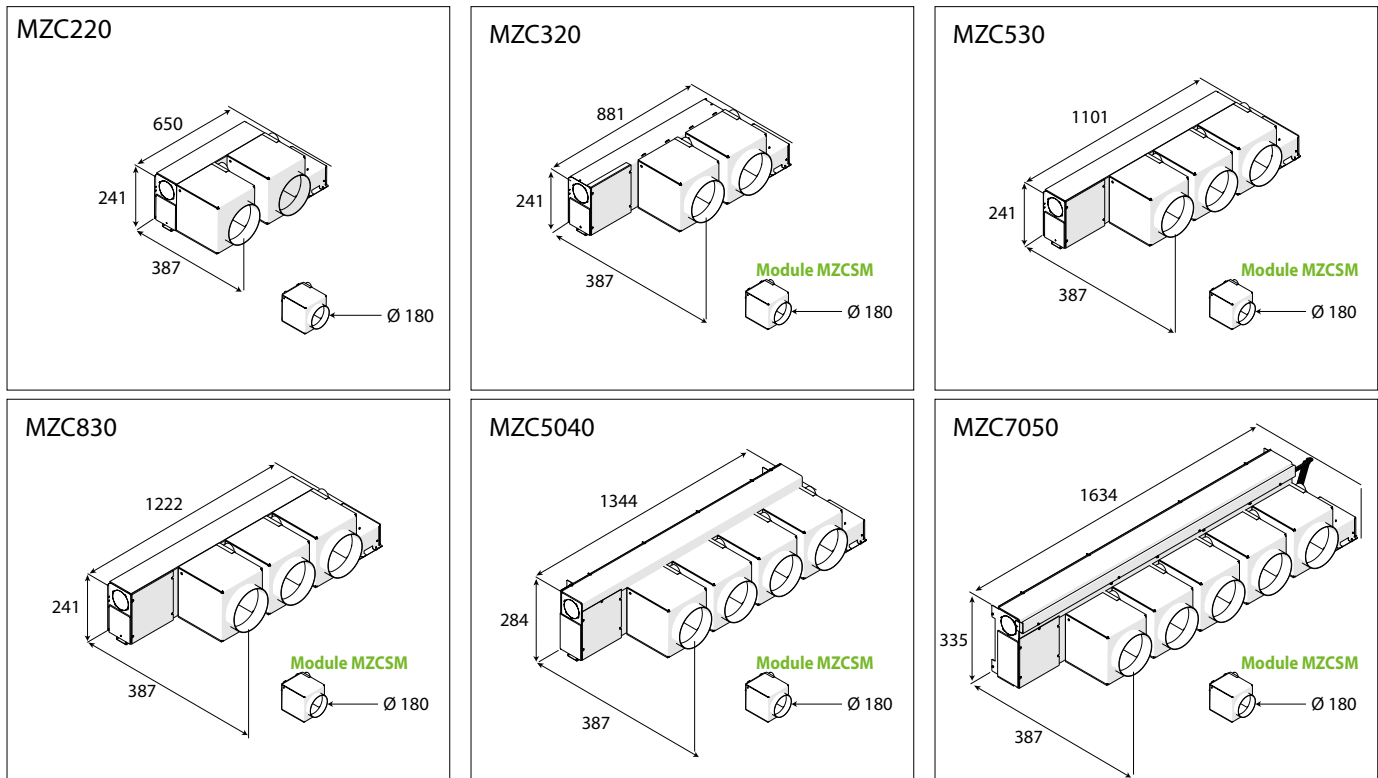
	MZC220	MZC320	MZC530	MZC830	MZC5040	MZC7050
MZCSM	-	•	•	•	•	•
MZCUI	•	•	•	•	•	•
MZCAC	•	•	•	•	•	•
MZCBC	•	•	•	•	•	•
WT10	•	•	•	•	•	•
WR10	•	•	•	•	•	•
MZCA	2	3	5	8	-	-
MZCSA	•	•	•	•	•	•
VMF-VOC	•	•	•	•	•	•

Compatibility of MZC Plenums with Aermec Fan Coils

For performance data, refer to the product data cards for each MZC compatible unit. All these data cards are available on the site www.aermec.com

Models	N° Dampers	FCX_PO	FCXI_P	FCZ_PO	FCZI_P	VED	VED_I
MZC220	2	22-24	20-24	200-201-202-250	200-201-202-250	030-040	030-040
MZC320	2 *	32-34-36	30-34-36	300-301-302-350	300-301-302-350	130-140	130-140
MZC530	3 *	42-44 50-54-56	40-44 50-54-56	400-401-402-450 500-501-502-550	400-401-402-450 500-501-502-550	230-240	230-240
MZC830	3 *	62-64 82-84	80-84	600-601-602-650 700-701-702-750 800-801-802-850 900-901-950	700-701-702-750 900-901-950	330-340	330-340
MZC5040	4 *	-	-	-	-	430-432-440-441 530-532-540-541	530-532-540-541
MZC7050	5 *	-	-	-	-	630-632-640-641 730-732-740-741	730-732-740-741

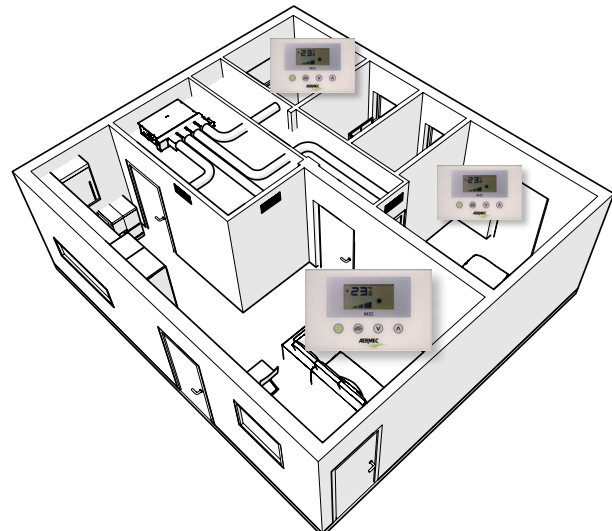
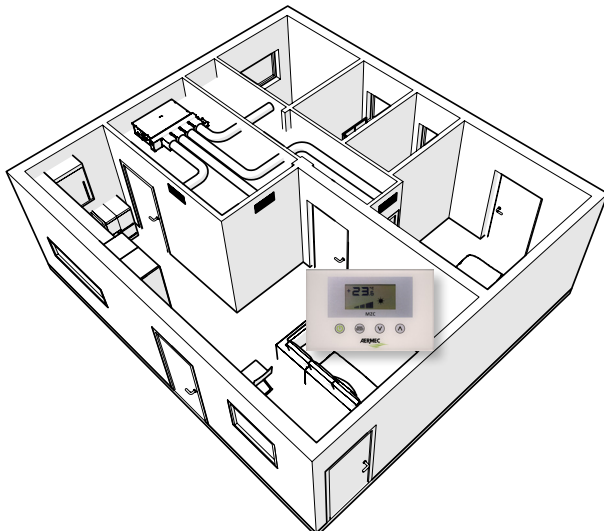
* Whenever the plant installation so requires, it is even possible to add later on a single delivery module **MZCSM** (accessory), refer to the figures



Plant solutions

Solution - with n° 1 MZCUI zone thermostat
Supplied as standard

Solution - with n° 3 MZCUI zone thermostats
n° 1 Supplied as standard (Master)
n° 2 Accessories (Slave)



All specifications are subject to change without prior notice. Although every effort has been made to ensure accuracy, Aermec does not assume responsibility or liability for eventual errors or omissions.

Aermec S.p.A.
Via Roma, 996 - 37040 Bevilacqua (VR) - Italia
Tel. 0442633111 - Telefax 044293577
www.aermec.com