

# DUALJET

Controlled outlet fan coils  
Floor installation



Aermec participate in the EUROVENT program: FCH the products are present on the site www.eurovent-certification.com



**VMF**

- White**
- housing RAL 9002
  - head and feet RAL 7044



## DUALJET: comfort, everywhere

The perception of uneven temperature distribution, especially vertically, is one of the main factors that can drastically reduce occupants' perceived well-being.

The innovative DUALJET fan coil makes the room more comfortable, by directing the air in such a way as to provide uniform temperature distribution throughout the room.

In winter, warm air is directed towards the floor; in the summer, cool air is directed towards the ceiling.

## Features

- Controlled outlet fan coils available in 4 sizes:
  - Front outlet for heating operation.
  - Outlet from the top for cooling operation.
  - Versions with 3-row coil (sizes 20, 30, 40, 50)
  - 3-speed ventilating unit
  - Full compliance with the accident prevention standards
  - Rounded line
  - Metallic protective cabinet with rustproofing polyester paint
  - Plastic feet available as accessory
- **Vertical installation:**
  - **DUALJET:** without control panel but with VMF-E0 thermostat, ready for installation on the network as a Slave unit or as a single or Master unit if combined with the wired panel accessories VMF-E4 / VMF-E4D or VMF-E2D control panel.
  - All units are compatible with the VMF system When installing a centralized control VMF-E5B / VMF-E5N or BMS third party will need to contact your
  - Switching the front air outlet or from the top, using the selector on the unit.
- Quiet operation
- Low loss of charge in the heat exchange batteries
- Electric motors with permanently inserted condensers
- Ease of installation and maintenance
- Air filter easy to remove and clean
- Extractable shrouds for easy, effective cleaning
- Water connections can be reversed during installation phase

## Accessories

- **Control panel and VMF System:** The features are described in the dedicated cards.
  - \* **VMF-E1D** Please contact us.
- **ZX:** Feet for floor mounting
- **VCF:** the kit contains a motorised 3-way valve with insulating shell, plus coupling and pipes in insulated copper. For 4-row, 3-row and 1-row coils (BV). Versions with 230V and 24V~50Hz power supply.
- **VCFD:** Kit consisting of powered 2-way valve, copper couplings and pipes. For 4-row, 3-row and 1-row coils (BV). Versions with 230V and 24V~50Hz power supply.
- **VCF\_X4:** The valve kits are designed for fan coil units with single coil, installed in a 4 pipe system with the "Cooling" and "Heating" circuits totally separated. The kit consists of 2 valves of 3-way 4 port connection complete with electro-thermal actuators, insulating shells for the valves and associated hydraulic piping. VCF1X4L Valve kit for left hand connection fan coil units. VCF1X4R Valve kit for right hand connection fan coil units. Power supply: 230V ~ 50Hz.

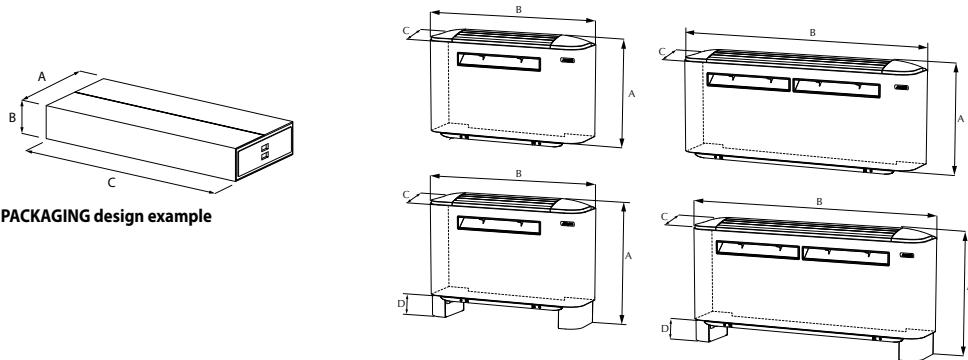
DUALJET	20	30	40	50
VMF-E4 • VMF-E4D	•	•	•	•
VMF-E2D	•	•	•	•
ZX5	•	•	•	•
VCF41 • VCF4124	•	•	•	•
VCF42 • VCF4224	•	•	•	•
VCFD1 • VCFD124	•	•	•	•
VCFD2 • VCFD224	•	•	•	•
VCF1X4L • VCF1X4R	•	•	•	•
VCF2X4L • VCF2X4R	•	•	•	•

## Technical data

DUALJET		20			30			40			50		
Fan speed		H	M	L	H	M	L	H	M	L	H	M	L
<b>Heating Performance</b>													
<b>2 pipe configuration</b>													
Heating capacity (70°C)	(1) kW	2,96	2,53	1,91	5,35	4,07	3,17	6,62	5,52	4,06	8,19	7,53	5,02
Water flow rate	(1) l/h	260	222	167	470	357	278	581	484	356	719	660	440
Pressure drops	(1) kPa	6	4	3	20	12	8	15	11	6	15	13	6
Heating capacity (50°C)	(2) kW	1,77	1,51	1,13	3,16	2,40	2,06	3,96	3,30	2,43	4,87	4,48	3,00
Water flow rate	(2) l/h	258	210	144	413	316	267	585	478	397	721	604	432
Pressure drops	(2) kPa	6	5	2	16	10	7	15	13	8	15	11	6
Heating capacity (45°C)	(3) kW	1,47	1,26	0,95	2,66	2,02	1,57	3,29	2,75	2,02	4,08	3,75	2,50
Water flow rate	(3) l/h	256	218	165	462	351	273	571	477	351	707	650	433
Pressure drops	(3) kPa	5	4	2	19	12	8	14	10	6	14	12	6
<b>Cooling Performance</b>													
Total cooling capacity	(4) kW	1,50	1,22	0,84	2,40	1,84	1,55	3,40	2,78	2,31	4,19	3,51	3,51
Sensible cooling capacity	(4) kW	1,24	1,00	0,67	1,90	1,57	1,11	2,76	2,11	1,63	3,00	2,54	1,79
Water flow rate	(4) l/h	258	210	144	413	316	267	585	478	397	721	604	432
Pressure drops	(4) kPa	6	5	3	28	17	13	14	10	7	19	14	8
Water content	l												
<b>Fans</b>													
Fan	type/n°	centrifugal/1						centrifugal/2					
Air flow rate	m³/h	290	220	140	450	350	260	600	460	330	720	600	400
<b>Sound data</b>													
Sound power level	(5) dB(A)	50	43	31	48	41	34	51	44	39	56	51	42
Sound pressure level	dB(A)	42	35	23	40	33	26	43	36	31	48	43	34
<b>Diameter connections</b>													
Standard coil	Ø	1/2"			1/2"			3/4"			3/4"		
<b>Electrical Features</b>													
Absorbed power	W	12	8	5	13	7	4	17	9	6	37	20	8
Max. input current	A	0,12			0,21			0,28			0,35		
Electrical wiring													
Power supply	V/ph/Hz	230V~50Hz											
<b>Energy Efficiency classification (EUROVENT)</b>													
FCEER		D			D			D			D		
FCCOP	(6)	D			D			D			D		

- (1) Room air 20°C b.s.; Water (in/out) 70°C/60°C;  
 (2) Room air 20°C b.s.; Water (in) 50°C; Water flow rate as in cooling mode (EUROVENT)  
 (3) Room air 20°C b.s.; Water (in/out) 45°C/40°C (EUROVENT)  
 (4) Room air 27°C b.s./19°C b.u.; Water (in/out) 7°C/12°C (EUROVENT)  
 (5) Sound power level on the basis of measurements made in compliance with Eurovent 8/2  
 (6) FCCOP Related to: Room air 20°C b.s.; Water (in) 50°C; Water flow rate as in cooling mode

## Dimensions (mm)



PACKAGING design example

Mod DUALJET		20	30	40	50
Height	A mm	520	520	520	520
Height with feet	A mm	606	606	606	606
Width	B mm	750	980	1200	1200
Depth	C mm	220	220	220	220
	D mm	88	88	88	88
Weight <sup>(1)</sup>	kg	15	20	24	24

### Packaging Dimensions

A/B/C	mm	590/275/820	590/275/1050	590/275/1270	590/275/1270
-------	----	-------------	--------------	--------------	--------------

(1) Unit in standard configuration without accessories